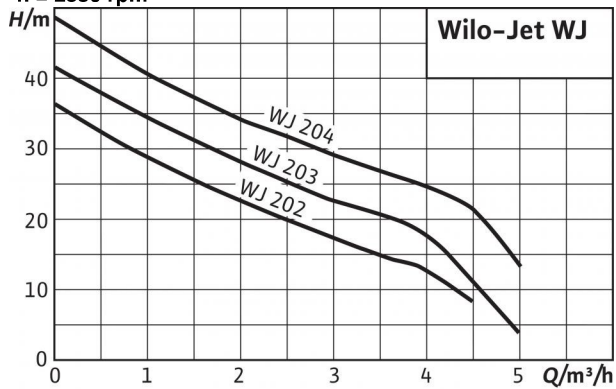
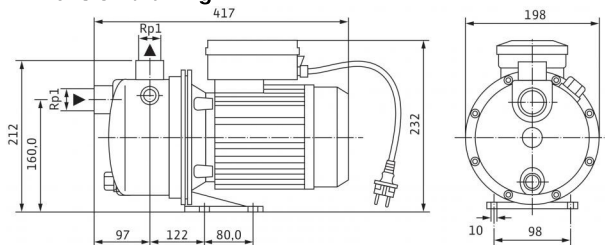


Data sheet: Jet WJ 204 X (1~230 V)

Pump curves n = 2850 rpm



Dimension drawing



Approved fluids (other fluids on request)

Pure water without settling sediment	•
Process water, cold water, cooling water, rainwater	•

Output

Max. suction head H	8 m
Inlet pressure max. H	2 bar
Fluid temperature T	+5...+35 °C
Max. ambient temperature T	40 °C
Standard version for operating pressure p_{max}	6 bar
Rated speed n	2,900 rpm

Motor/electronics

Protection class	IP 44
Insulation class	B
Power consumption P_1	1.3 kW
Mains connection	1~230 V, 50 Hz

Pipe connections

Nominal connection diameter on the pressure side	G 1
Nominal connection diameter on suction side	G 1

Materials

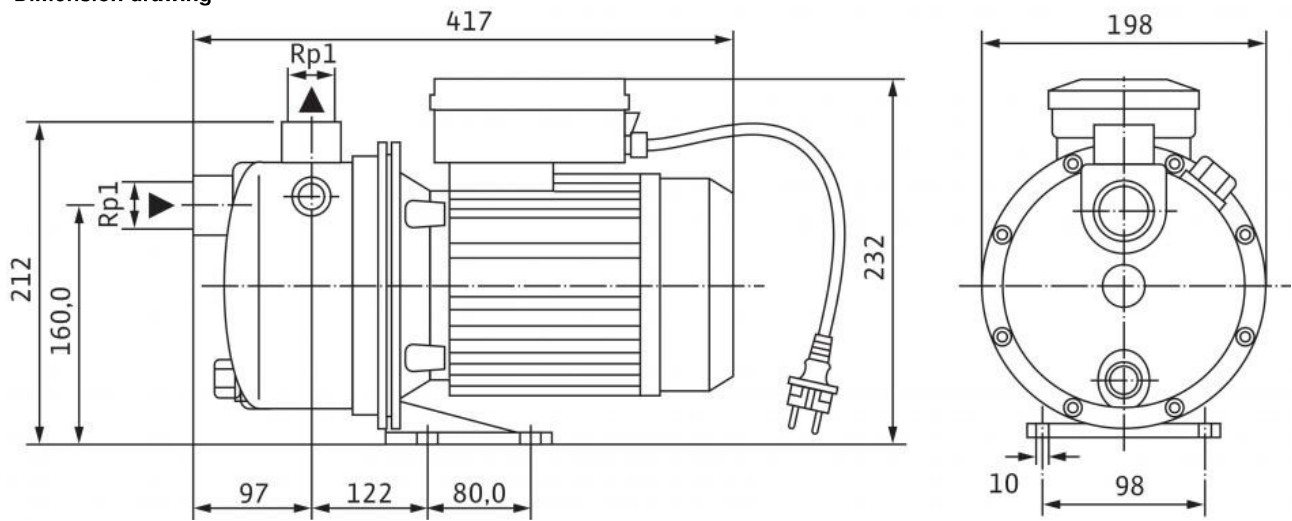
Pump housing	1.4301
Impeller	1.4301
Pump shaft	1.4005 [AISI416]
Mechanical seal	Carbon/ceramic
Stage chambers	-
Diffuser/Injector	Noryl
Seal	NBR

Information for order placements

Make	Wilo
Type	WJ 204 X
Art no.	4143999
Weight approx. m	11.1 kg

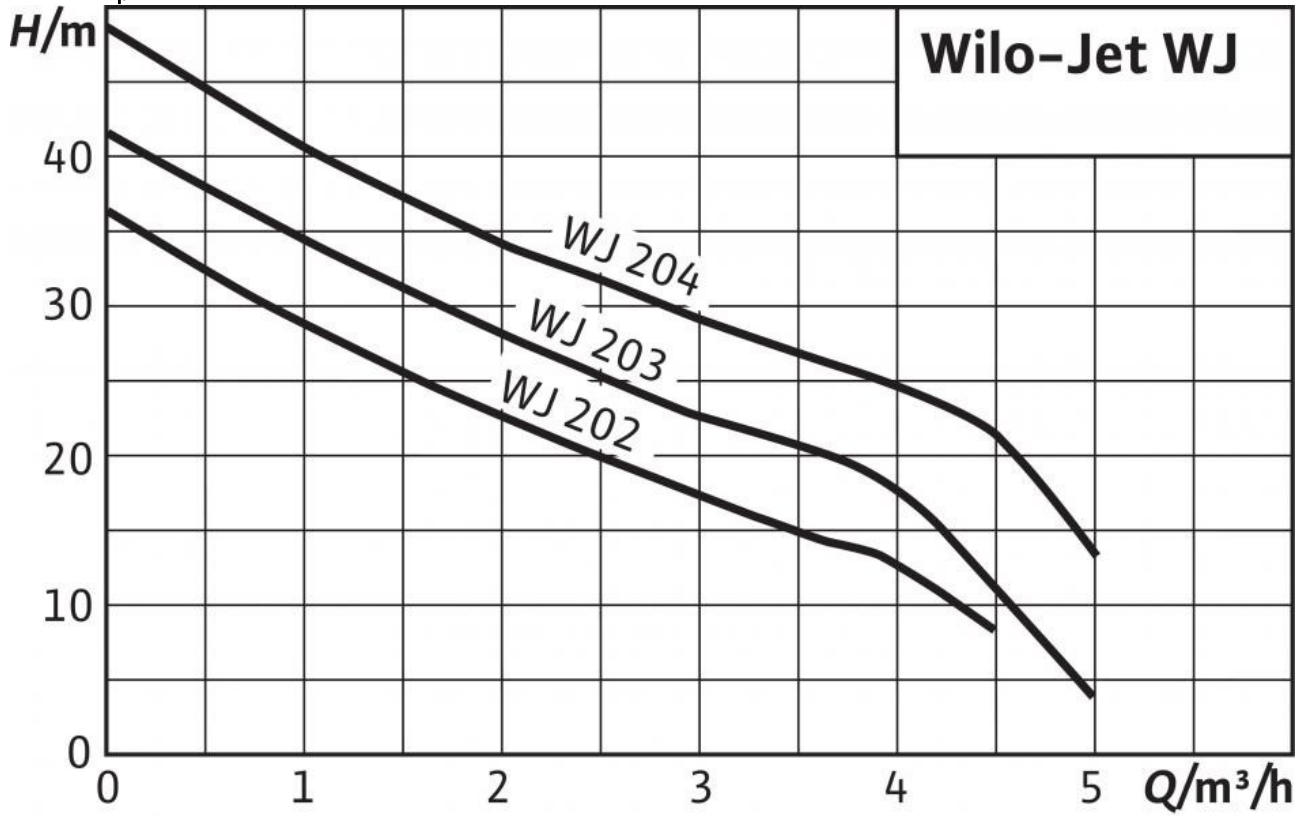
Dimensions and dimensions drawings: Jet WJ 204 X (1~230 V)

Dimension drawing



Pump curves: Jet WJ 204 X (1~230 V)

Pump curves
n = 2850 rpm



Ordering information: Jet WJ 204 X (1~230 V)

Art no.	4143999
EAN number	4048482086576
Colour	green/silver
Minimum order quantity	1
Minimum order quantity unit	PCE
Weight (net) <i>kg</i>	11.1
Length (net) <i>mm</i>	232
Width (net) <i>mm</i>	198
Height (net) <i>mm</i>	232
Weight (gross) <i>kg</i>	12.3
Length (gross) <i>mm</i>	450
Width (gross) <i>mm</i>	210
Height (gross) <i>mm</i>	285
Packaging type	One-way pallet
Packaging property	Sales packaging
Pieces per pallet	1
Number per layer	1

Tender text: Jet WJ 204 X (1~230 V)

Wilo-WJ-X

Self-priming single stage jet pump for water supply, irrigation and rainwater re-use applications.

Self-priming capacity up to 8m thanks to integrated Venturi system.

Wilo-WJ-X is easy to use thanks to its embedded ON/OFF switch.

Ready for connection thanks to its already connected 2 meters electrical cable with shock-proof Schuko plug.

Connection via terminal box for three-phase versions.

All parts that come into contact with the fluid are corrosion-proof.

Wilo-WJ

Self-priming single stage jet pump for water supply, irrigation and rainwater re-use applications.

Self-priming capacity up to 8m is done with integrated Venturi system.

Wilo-WJ is designed for mobile use thanks to its embedded ON/OFF switch and its embedded handle.

Ready for connection thanks to its already connected 2 meters electrical cable with shock-proof Schuko plug.

Connection via terminal box for three-phase versions.

All parts that come into contact with the fluid are corrosion-proof.

Materials

Pump housing: 1.4301

Impeller: 1.4301

Pump shaft: 1.4005 [AISI416]

Mechanical seal: Carbon/ceramic

Stage chambers: -

Diffuser/Injector: Noryl

Seal: NBR

Approved fluids (other fluids on request)

Pure water without settling sediment: •

Process water, cold water, cooling water, rainwater: •

Rainwater: •

Output

Max. suction head H : 8 m

Inlet pressure max. H : 2 bar

Fluid temperature T : +5...+35 °C

Max. ambient temperature T : 40 °C

Standard version for operating pressure p_{max} : 6 bar

Mains connection 1~, standard version: 230 V

3~ mains connection alternative application at no extra charge U : 230 V

Mains frequency f : 50 Hz

Rated speed n : 2,900 rpm

Motor/electronics

Protection class: IP 44

Insulation class: B

Power consumption P_1 : 1.3 kW

Pipe connections

Nominal connection diameter on the pressure side: G 1

Nominal connection diameter on suction side: G 1

Information for order placements

Weight approx. m : 11.1 kg

Type: WJ 204 X

Art no.: 4143999